

Hanging Out in Nebraska

Or...

Man Burners Swing and Sway

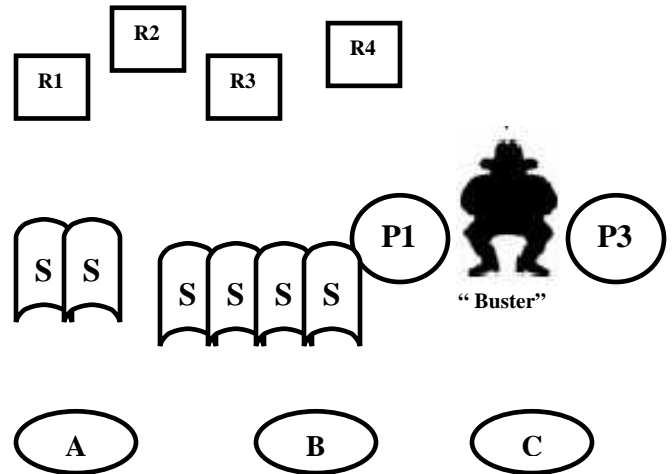
Stage 6

10 Pistol
10 Rifle
6 Shotgun

Story:

Gambler, friend, liar, hero and coward. Jake Spoon was all that and more. His protests that he was “no horse thief, no man burner” fall on deaf ears. “You ride with an outlaw, you die with an outlaw”, states Gus with no trace of emotion.

As the hangings progress, one particular horse thief makes it a pleasure to hang him, foul mouth and all. “If all you can talk is guff, go tell it to the devil” yells Augustus as he slaps the outlaw’s horse to send him to an unmarked grave.



Starting Position:

Standing at A with rope in both hands.

Staging:

Two pistols loaded and holstered.

Rifle on rest at A.

Shotgun on rest at A.

Procedure:

When ready say, **“Go tell it to the devil!”**

At buzzer, drop the noose and pick up the rifle and engage the rifle targets in this order: R1, R2, R3, R4, R1, R2, R3, R1, R2, R1. Safely stage the rifle and pick up the shotgun and knock down the two shotgun targets at A.

Move to B and knock down the 4 shotgun targets at B. Safely stage the shotgun and move to C.

Draw your pistols per your shooting category and engage the pistol targets in the following order P1, P2, P2, P3, P2, P2, P1, P2, P2, P3